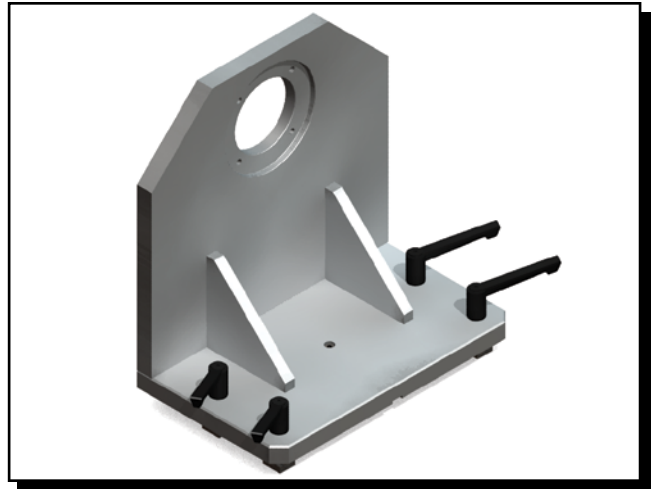

FMF Series

Fixed Motor Fixtures

FEATURES

- For use with Magtrol HD-700 and HD-800 Series Dynamometers with long T-slotted base plates
- Accommodate face mount motors up to 10 inches in diameter
- Provides rigid mounting for face mount motors under test
- Base plate contains a rectangular key for proper alignment
- Secure anchoring system
- Direct mounting to Magtrol TAB Series Dynamometer Table or dynamometer base plate (depending on model)
- Adaptor rings allow different styles of motors to be tested on the same fixture (adaptors manufactured per customer requirements)

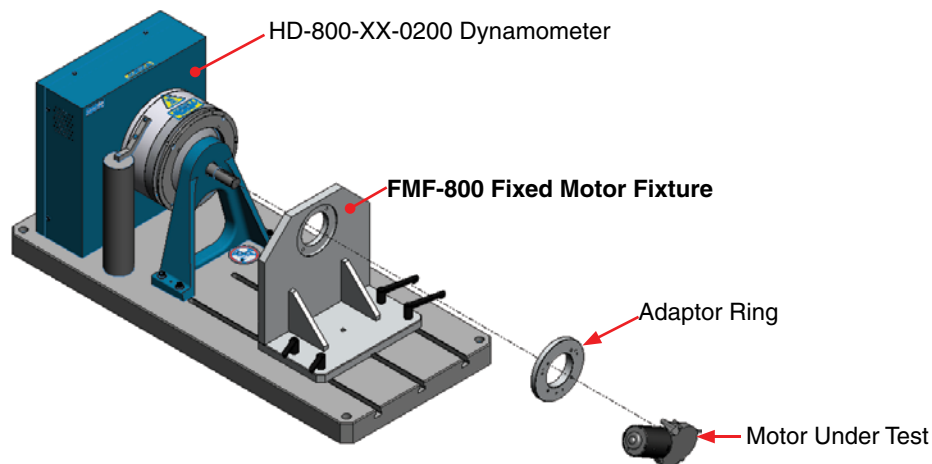


DESCRIPTION

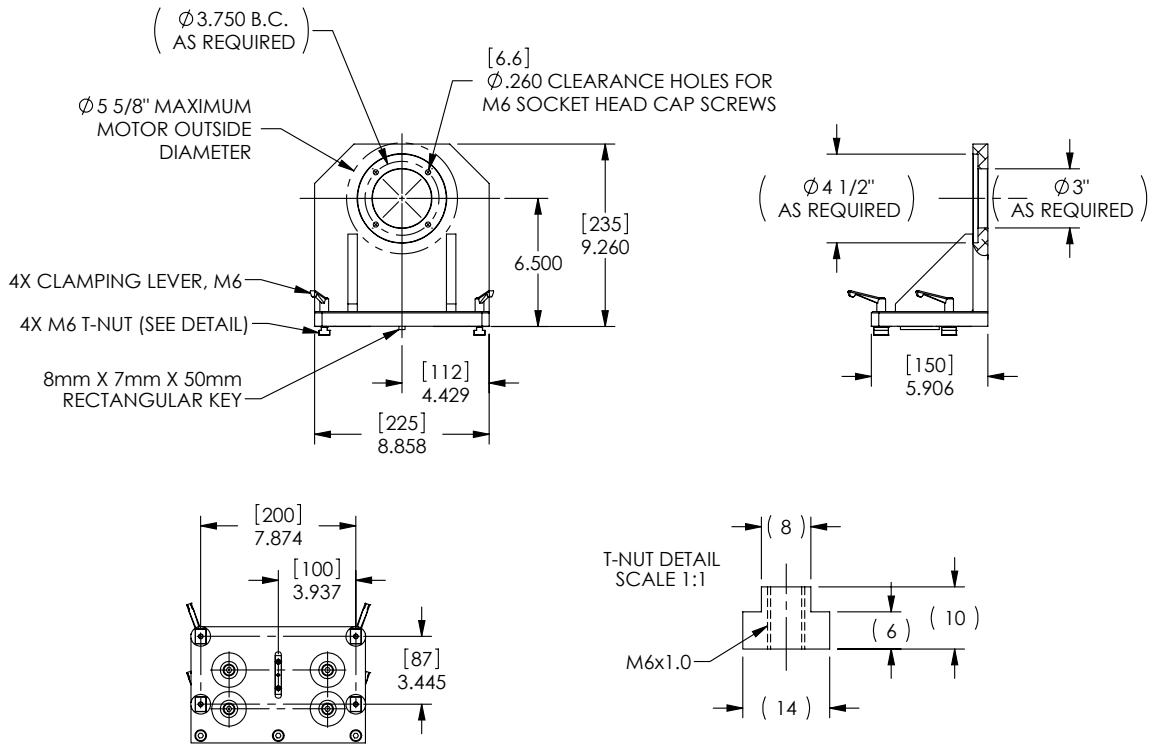
Originally designed to test window lift gear motors, Magtrol's FMF Series Fixed Motor Fixtures are used to secure motors in place while running any test. These versatile fixtures align the motor under test with Magtrol's HD-700 and HD-800 Series Dynamometers for easy setup and coupling—couplings can be provided upon request. Various adaptor rings can be customized to allow several different motors to be tested on the same fixture.

FMF Fixed Motor Fixtures can be mounted to any Magtrol HD-800 Series Dynamometer T-slotted long base plate or any Hysteresis Dynamometer Table with grooved table top (TAB 1457S, TAB 0800L and TAB 0825L). These fixtures are equipped with a precisely located rectangular key on the bottom of the plate for easy centering. Also included are four adjustable clamping levers and M10 T-nuts.

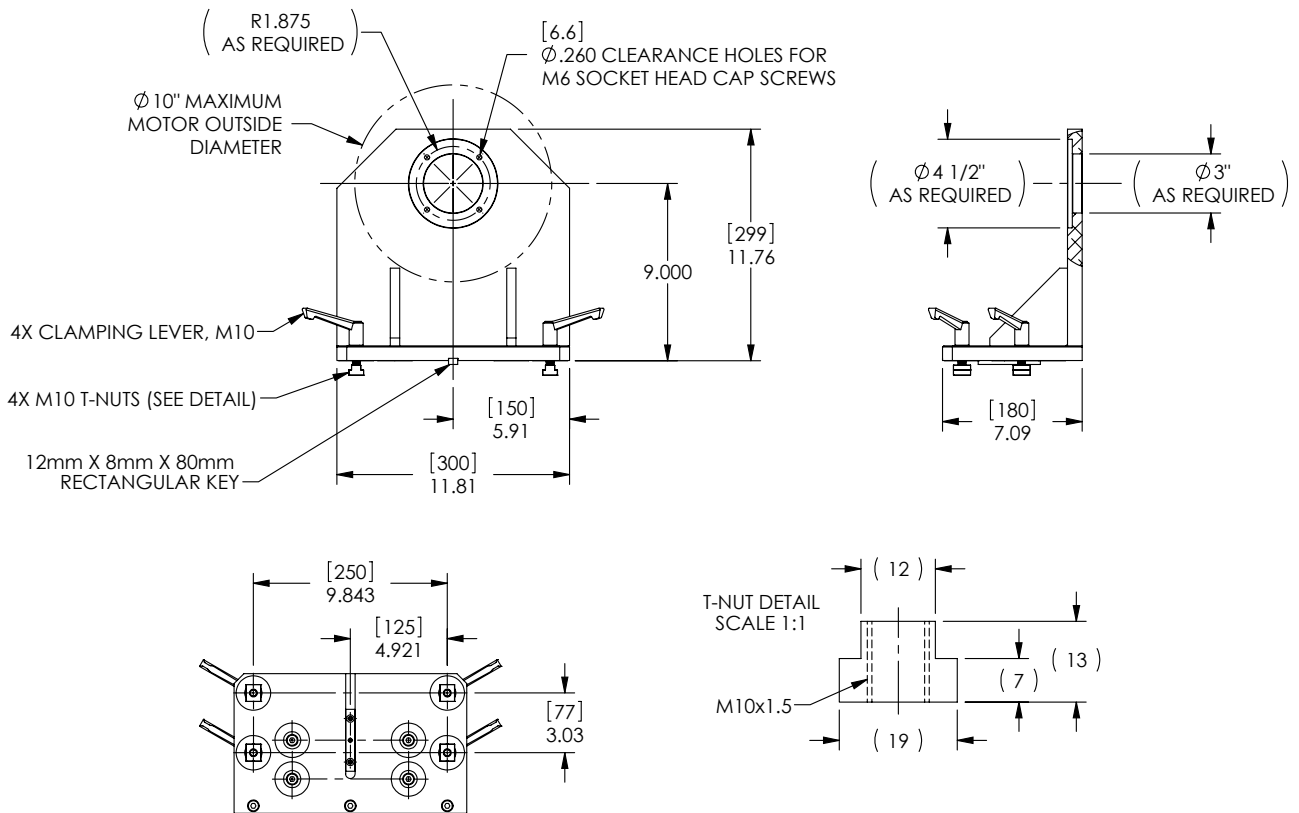
MOUNTING EXAMPLE



FMF-700



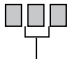
FMF-800



ADAPTOR RING

When ordering an FMF Fixed Motor Fixture, it is necessary to define the motor mounting specifications so that Magtrol can manufacture an appropriate adaptor ring for your motor.

FIXTURES

FIXED MOTOR FIXTURE	FMF -
Hysteresis Dynamometer	
• HD-800 Series <i>(For HD-800 Series Dynamometers ordered with long t-slot base plate, or mounted to TAB 0800L or TAB 0825L Dynamometer Table)</i>	800
• HD-700 Series <i>(For HD-700 Series Dynamometers mounted to TAB 1457S Dynamometer Table only)</i>	700

Due to the continual development of our products, we reserve the right to modify specifications without forewarning.

**www.magtrol.com****MAGTROL INC**

70 Gardenville Parkway
Buffalo, New York 14224 USA
Phone: +1 716 668 5555
Fax: +1 716 668 8705
E-mail: magtrol@magtrol.com

MAGTROL SA

Centre technologique Montena
1728 Rossens/Fribourg, Switzerland
Phone: +41 (0)26 407 3000
Fax: +41 (0)26 407 3001
E-mail: magtrol@magtrol.ch

Subsidiaries in:

Great Britain
Germany • France
China • India
Worldwide Network
of Sales Agents

