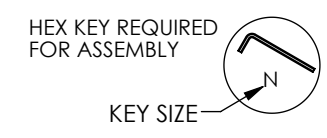
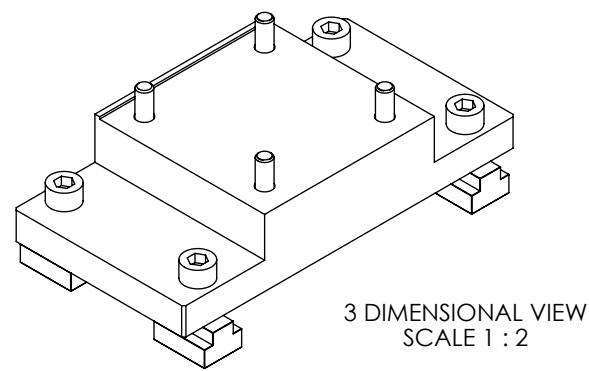
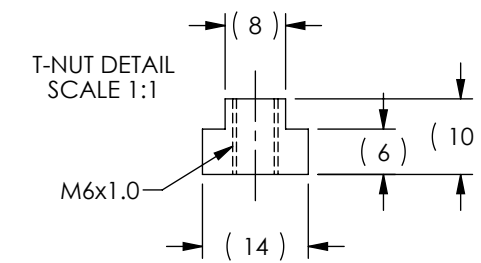
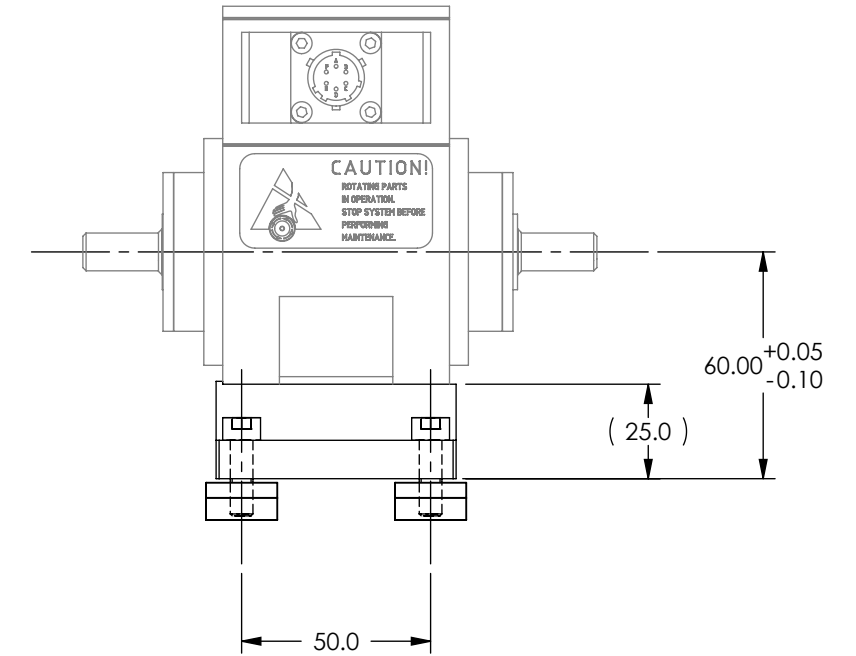
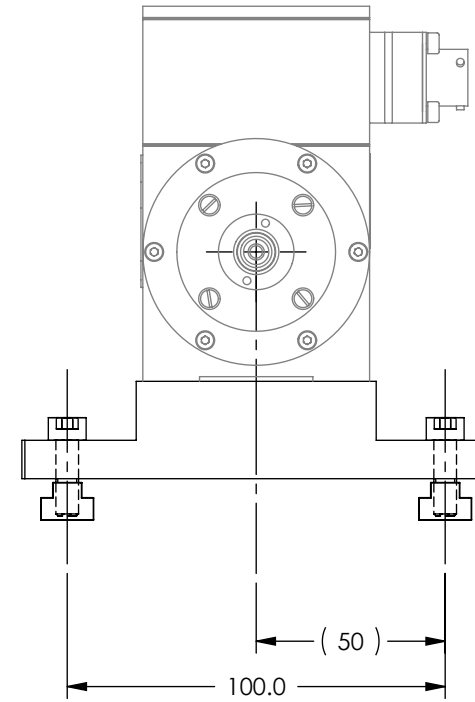
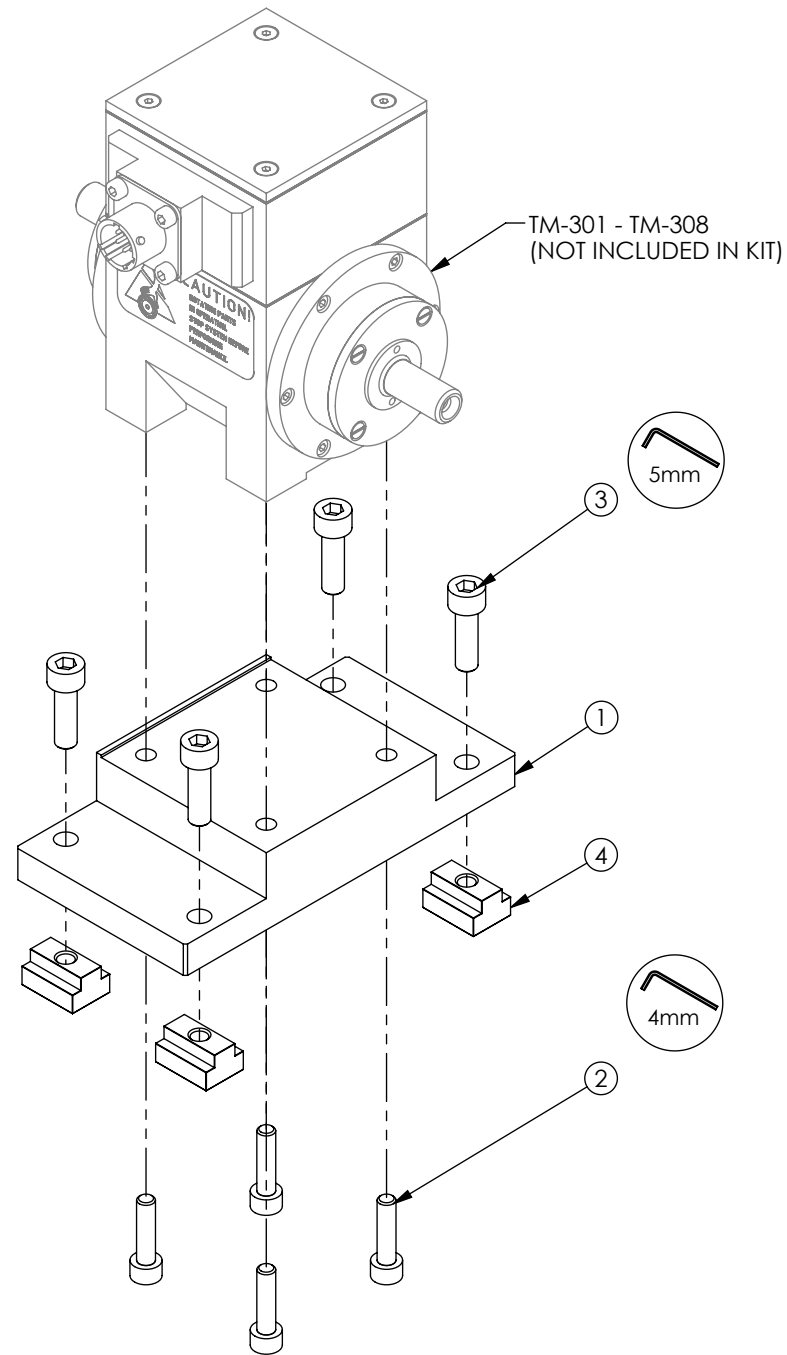
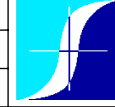
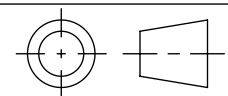


SOLID MODEL AVAILABLE

ITEM NO.	PART NUMBER	DESCRIPTION	QTY.
1	205451	RISER BLOCK, RTM-1-060	1
2	504215	T-NUT, M6x1.0 X 8mm SLOT WIDTH	4
3	504253	SHCS M5x0.8 X 20mm 18-8 SS	4
4	505677	SHCS M6x1 X 20mm 18-8 SS	4



STOCK CODE: 005793  
RISER KIT DESIGNED FOR AHB-1 AND PT SERIES, T-SLOT BASE PLATES

MATERIAL:	DESIGN	JEF	08/07/06	 <b>MAGTROL INC.</b> 70 GARDENVILLE PKWY, W. BUFFALO, NEW YORK 14224-1322
FINISH:	DRAWN	JEF	08/16/07	
	CHECKED	DTW	09/06/07	
THIRD ANGLE PROJECTION				TITLE
THIS DRAWING AND SPECIFICATION CONTAINS PROPRIETARY INFORMATION TO MAGTROL INC. ANY DISCLOSURE OR REPRODUCTION OF THIS DOCUMENT WITHOUT WRITTEN AUTHORIZATION FROM MAGTROL INC. IS EXPRESSLY PROHIBITED	UNLESS OTHERWISE SPECIFIED: DIMENSIONS ARE IN MILLIMETERS, DIAMETERS CONCENTRIC: .08 TIR, FACES PERPENDICULAR: .08 INTERPRETATION PER ASME Y14.5M-1994 REMOVE ALL BURRS AND BREAK SHARP EDGES .13/.25 X 45°, ALL INSIDE CORNERS TO BE .5 R MAX. TOLERANCES: X ± .4                    .XX ± .13 .X ± .25                ANG. ± 1° SURFACE FINISH 3.2 μm MAX. U.O.S.			RTM-1-060 RISER KIT
	USED ON: - SIMILAR TO: - DWG. NO.			REV
SIZE <b>B</b> SCALE 1:2    SHEET # 2 OF 2			<b>RTM-1-060</b> <b>A</b>	