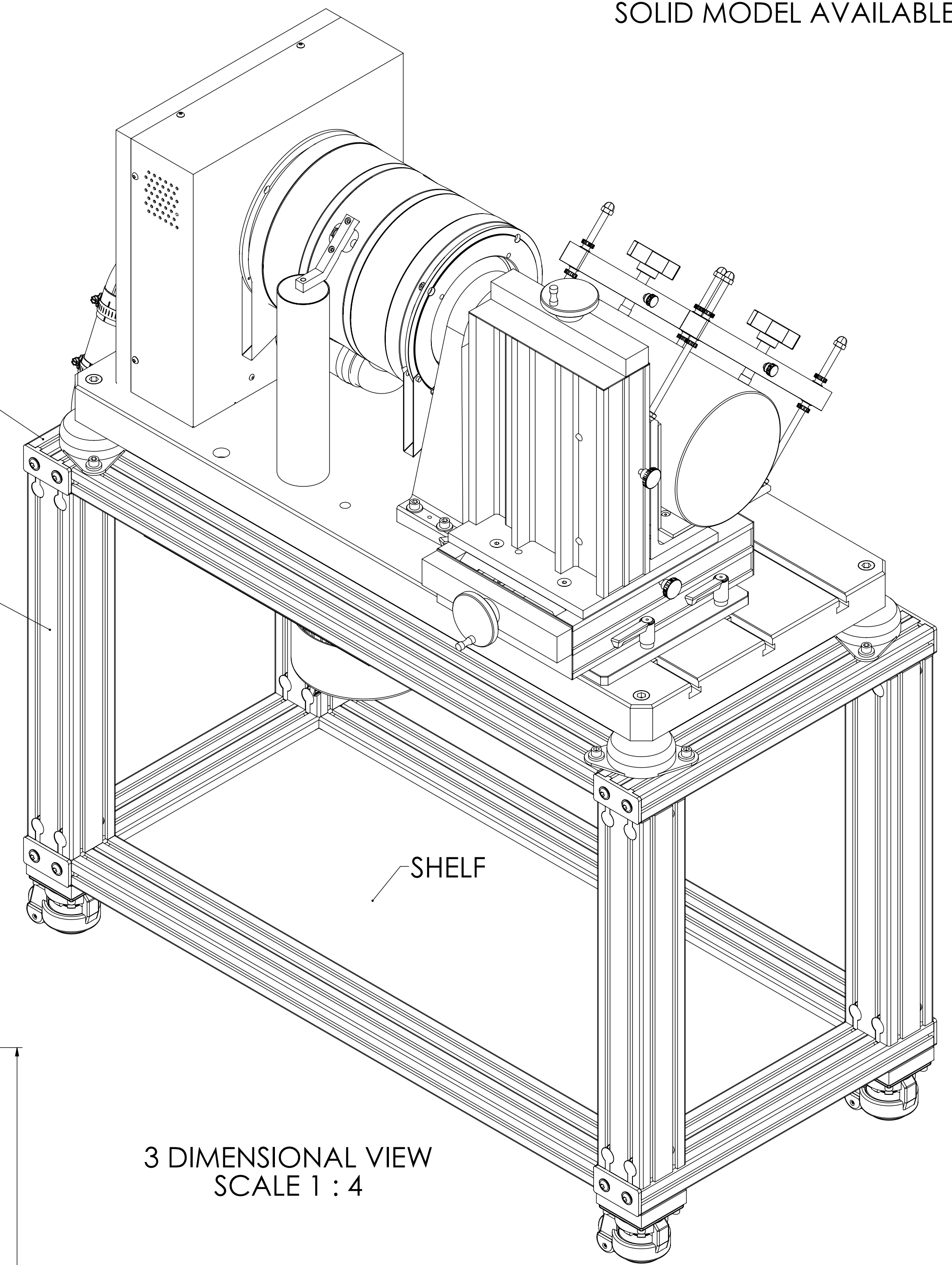


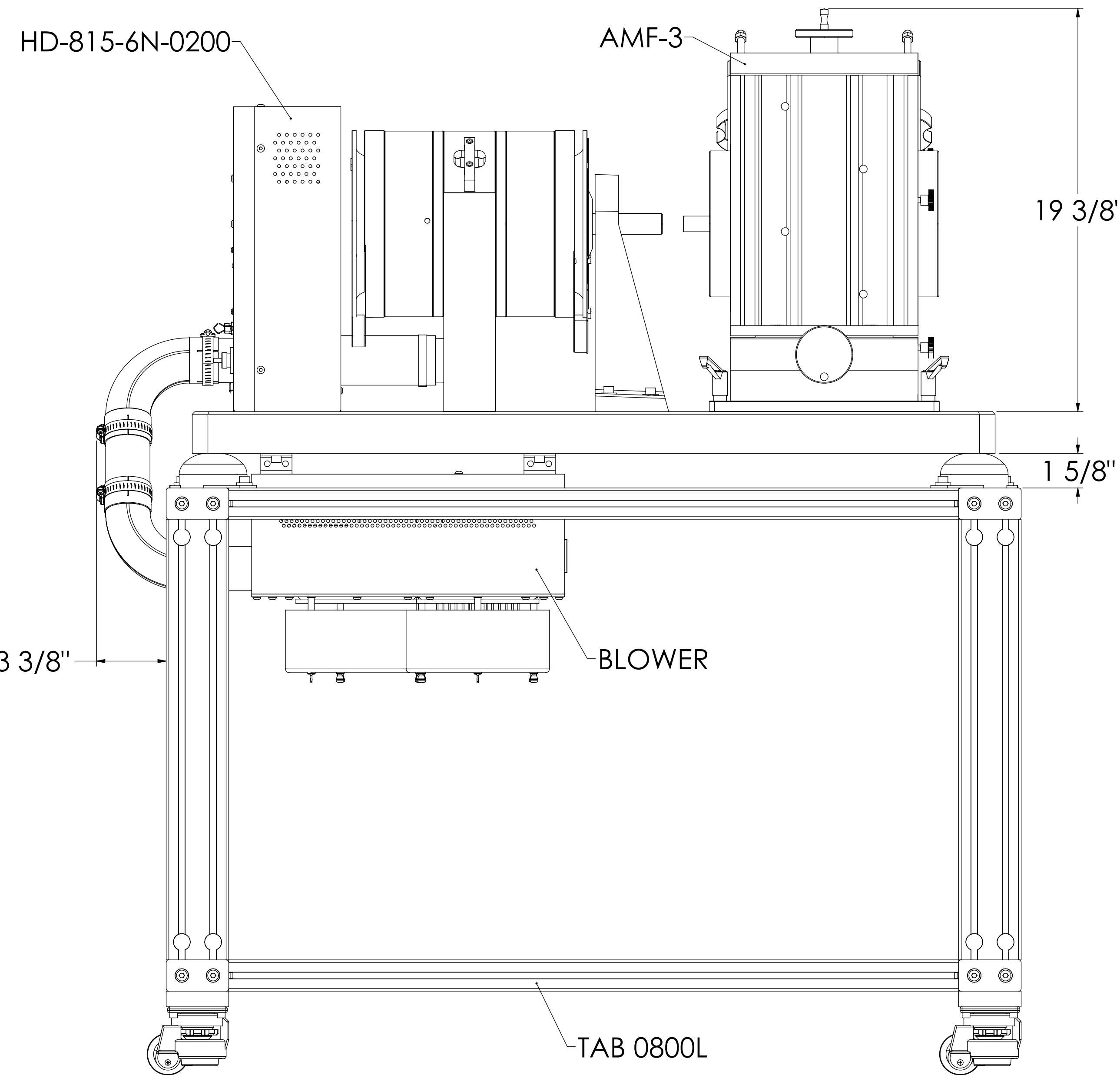
80/20
1530
EXTRUSION

80/20
1530
EXTRUSION



SHELF

3 DIMENSIONAL VIEW
SCALE 1 : 4

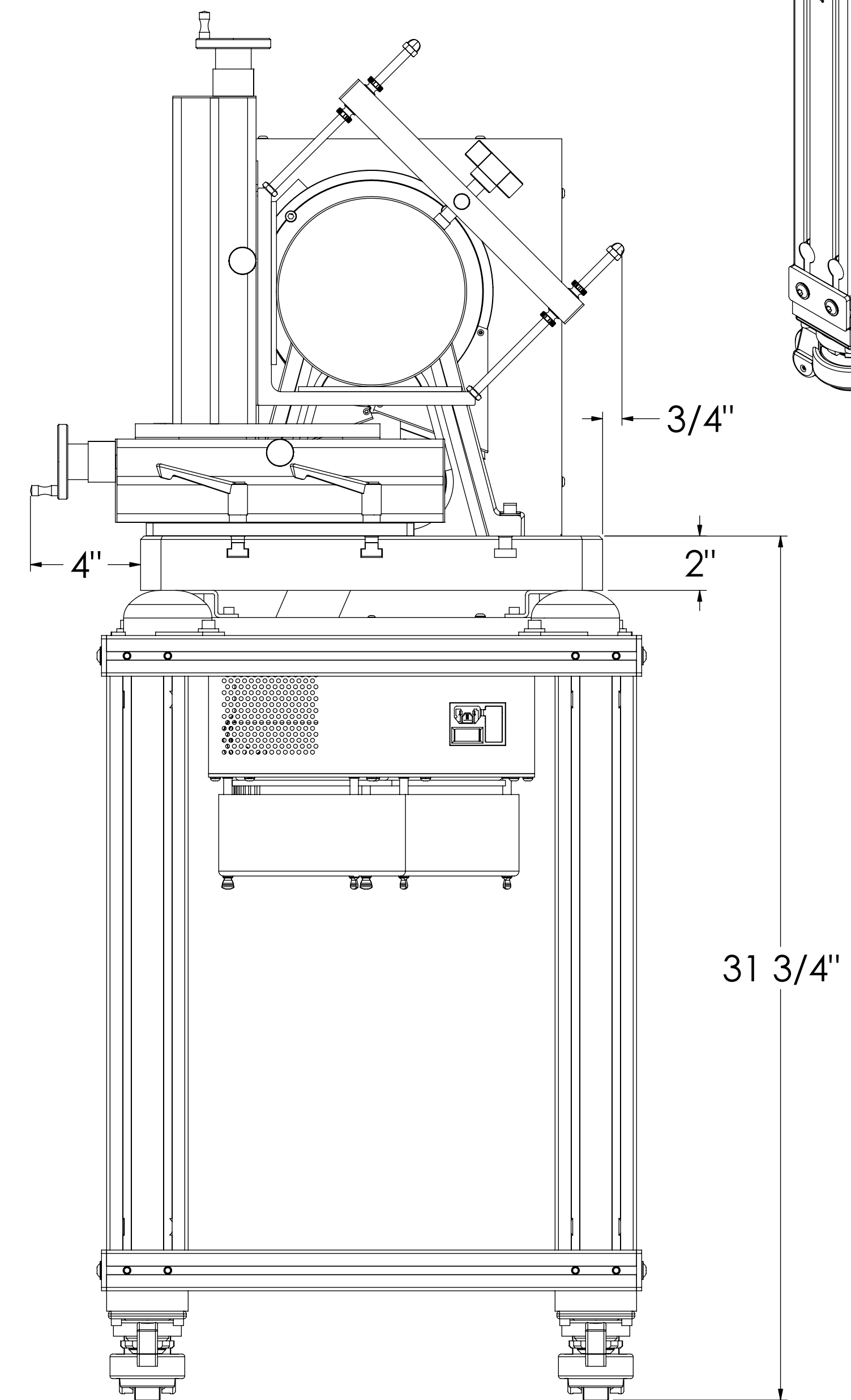


HD-815-6N-0200

AMF-3

BLOWER

TAB 0800L



31 3/4"

MATERIAL	DESIGN	DTW	11-30-05	<p>MAGTROL INC. 70 GARDENVILLE PKWY., W. BUFFALO, NEW YORK 14224-1322</p>
FINISH	DRAWN	DTW	01-20-06	
	CHECKED			
THIRD ANGLE PROJECTION	<small>UNLESS OTHERWISE SPECIFIED: DIMENSIONS ARE IN INCHES DIAMETERS CONCENTRIC-.003 TIR FACES PERPENDICULAR-.003 INTERPRETATION PER ASME Y14.5M-1994 REMOVE ALL BURRS AND BREAK SHARP EDGES .005/.010 X 45°. ALL INSIDE CORNERS TO BE .02 R MAX. TOLERANCES: XXX -.005 SURFACE FINISH 125 RMS MAX. U.O.S.</small>			<small>TITLE</small> TABLE ASSY WITH MOUNTINGS HD-815-6N-0200 + AMF-3 <small>SIZE</small> D <small>SCALE</small> 1:4 <small>SHEET #</small> 1 OF 1
<small>THIS DRAWING AND SPECIFICATION CONTAINS PROPRIETARY INFORMATION TO MAGTROL INC. ANY DISCLOSURE OR REPRODUCTION OF THIS DOCUMENT WITHOUT WRITTEN AUTHORIZATION FROM MAGTROL INC. IS EXPRESSLY PROHIBITED</small>				<small>REV</small> - <small>005033</small>

LETTER	DATE	BY	ECN	DESCRIPTION
REVISIONS				