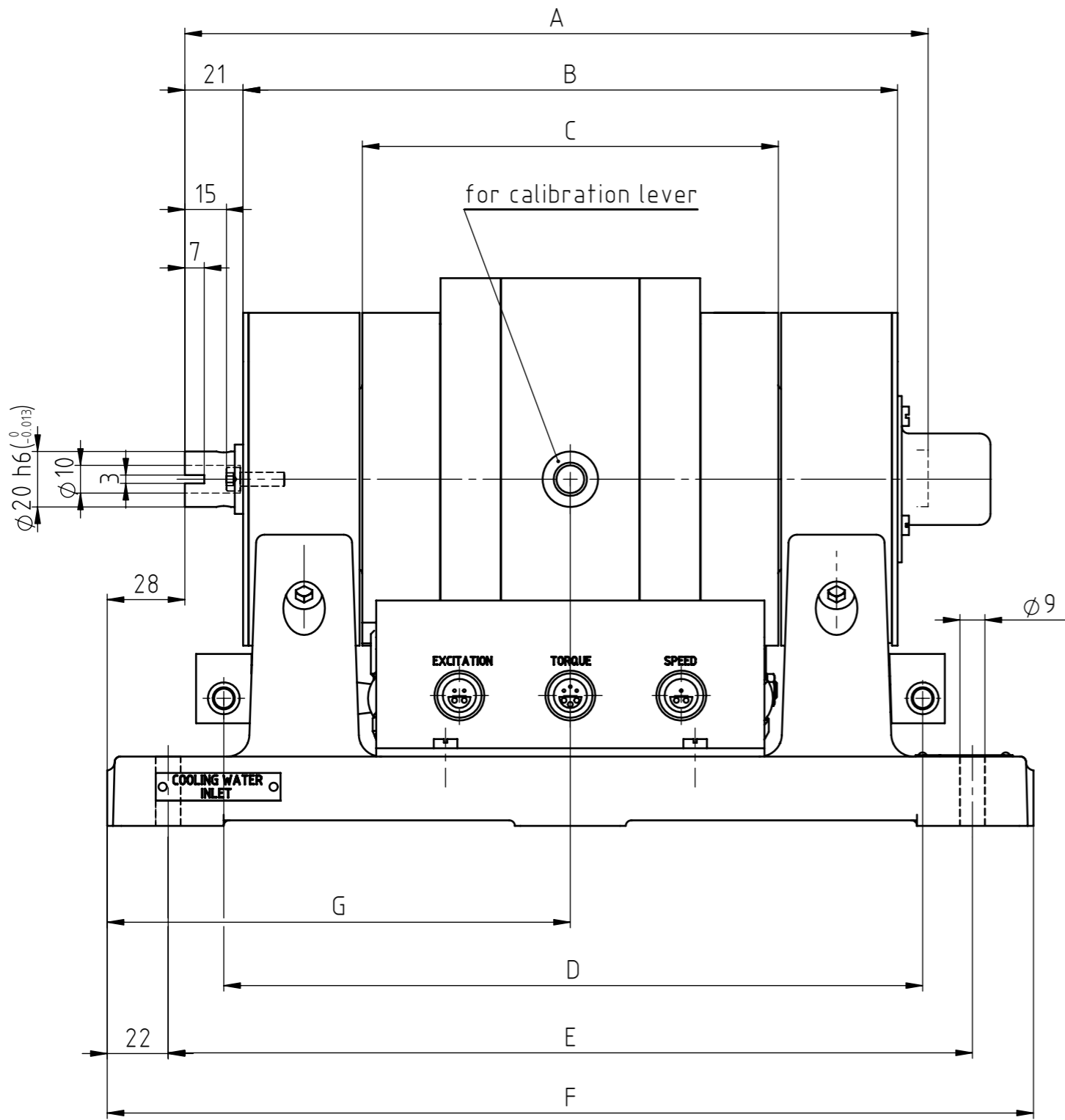
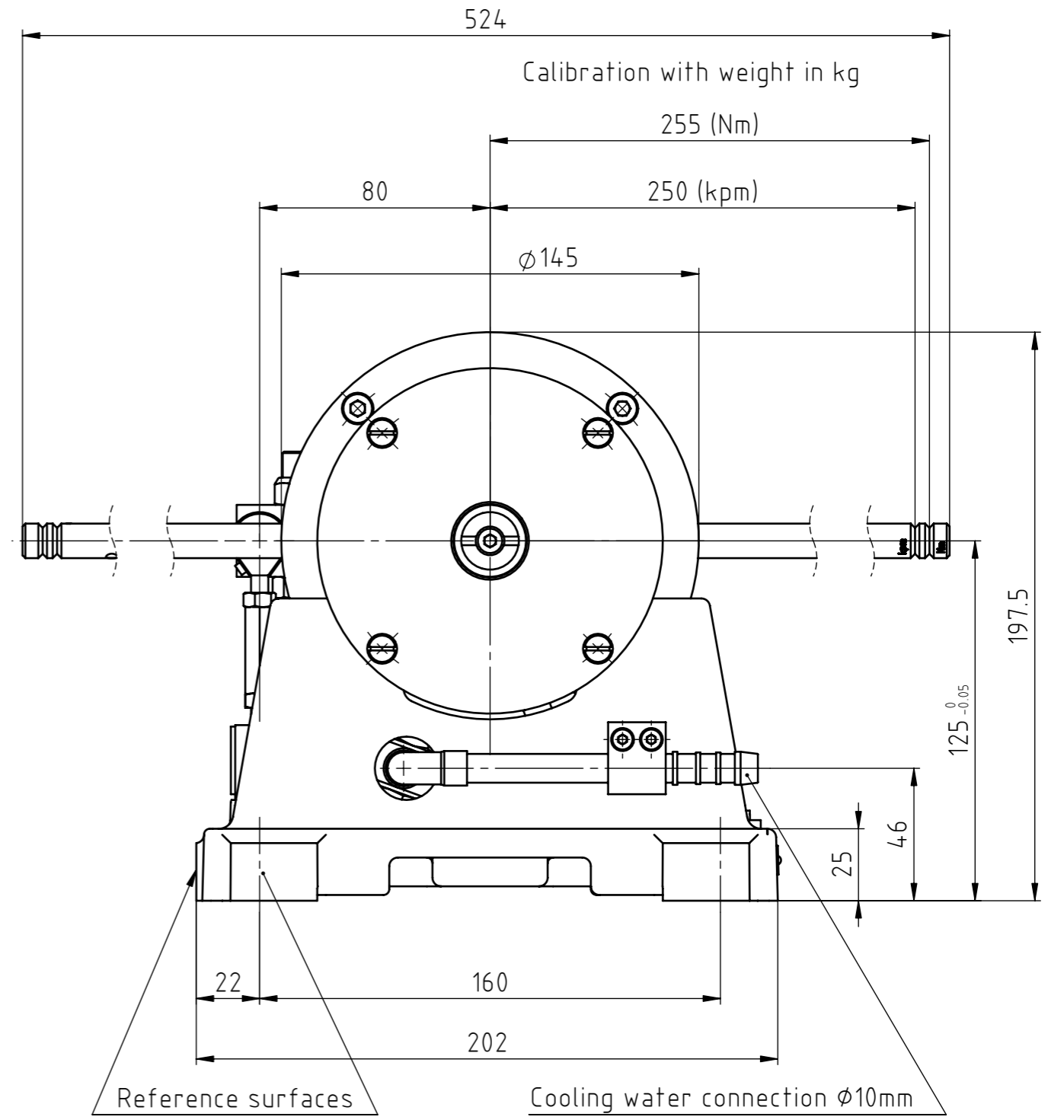


THE INFORMATION DISCLOSED HEREIN WAS ORIGINATED BY AND IS THE PROPERTY OF MAGTROL SA. MAGTROL SA RESERVES ALL PATENT PROPRIETARY, DESIGN, USE, SALE, MANUFACTURING AND REPRODUCTION RIGHTS THERETO.



Type	A	B	C	D	E	F	G
1WB43-HS	218	186	100	202	240	284	153
2WB43-HS	268	236	150	252	290	334	167



6									
5									
4									
3									
2									
1									
Rev.	Date	PM	Drawn	Appr.	Repl. by :				
					Repl. for:				
Tolerances: \pm mm to 50mm, \pm mm over 50mm									
Material:						Scale 1:2		Drawn 06.06.02 A.Rappo Checked Approved	
Finish:						DRAWING N°		311-111-000V011	
Dynamometers									
1+2WB43-HS									