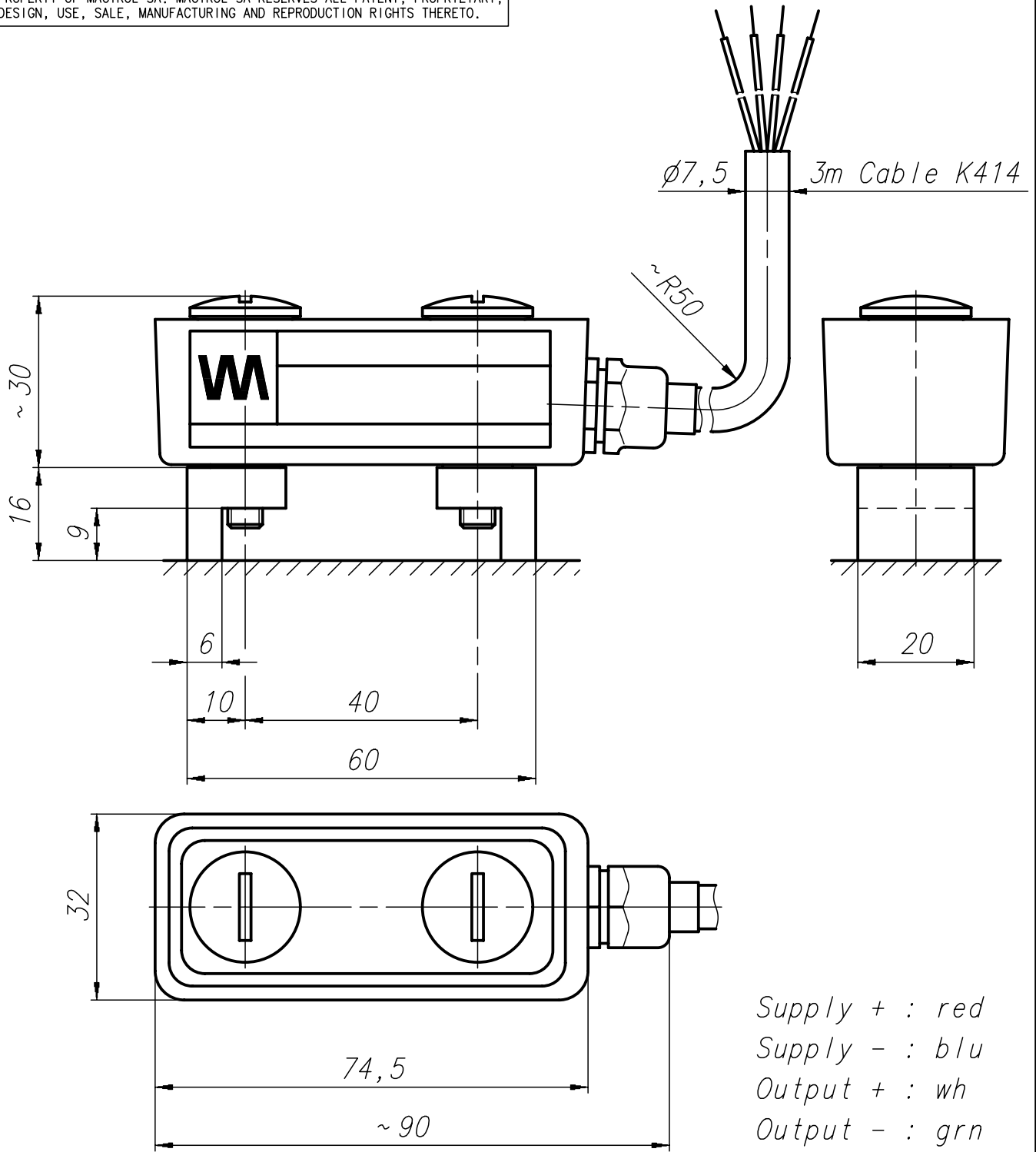


THE INFORMATION DISCLOSED HEREIN WAS ORIGINATED BY AND IS THE PROPERTY OF MAGTROL SA. MAGTROL SA RESERVES ALL PATENT, PROPRIETARY, DESIGN, USE, SALE, MANUFACTURING AND REPRODUCTION RIGHTS THERETO.



6						
5						
4						
3	18.05.95	95263	C.B.	N.B.	K414 was K416.	
2	16.03.87	-----	Sa	Uh	~R50 added; cable Radox K414 removed.	
1	06.01.87	-----	Sa	Uh	Cable K414 added; ~ø8 was ø7,5.	

Rev.	Date	PM	Drawn	Appr.	Repl.by :		MAGTROL SA		
					Repl.for: 126-101-000V021				
Tolerances: ± mm to 50 mm; ± mm over 50 mm						1:1	Drawn	15.12.86	Sa
Material:							Checked	22.12.86	Uh
Finish :							Approved	22.12.86	Lr
STRAIN TRANSDUCER						DRAWING N°			
P/N: 126-101-000-031				TYPE: SD 101/031		126-101-000V031			

A

B